

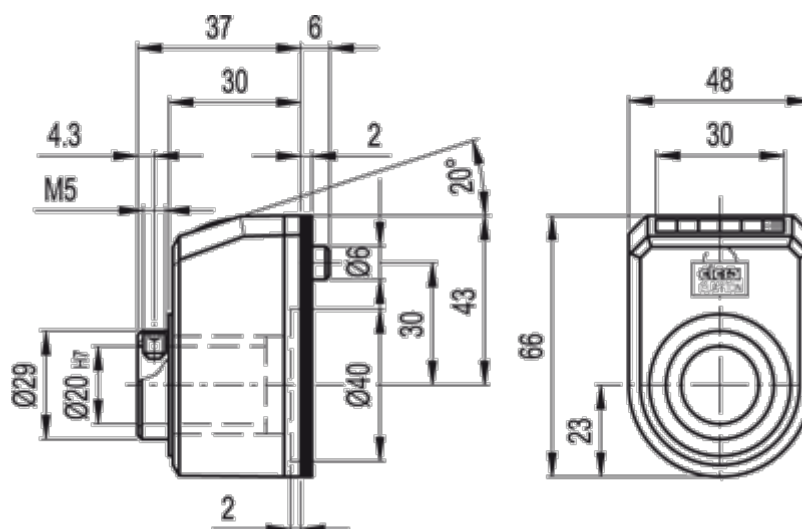
Data Sheet



Article number: 2307083134

Description: E+G Direct drive position indikator
DD52R-FN-001.00-S-C2 (Orange)

Measures



Max rpm = 250